

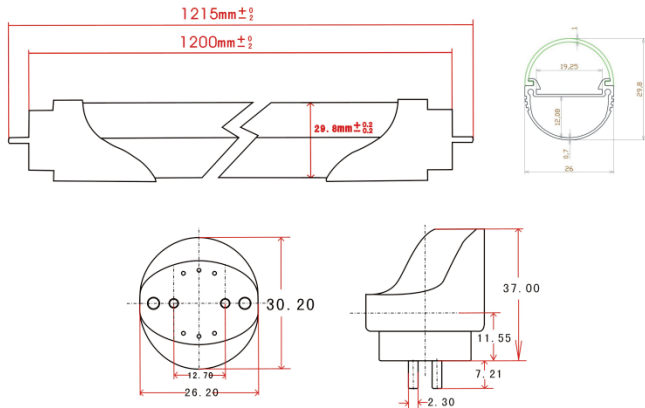


WAY TO GO LED Tube Light

DESIGNLIGHTS
CONSORTIUM



E364157



WTG Tube LED

Power	10W, 18W, 22W, 36W
Frequency Range	50 / 60Hz
Voltage	100 - 277Vac, internal/external power supply
LED Type	SMD3528
LED Quantity	280 pcs / 380 pcs
Lumens	WW: 910 / 1,480 / 3,360lm; CW: 1,080 / 1,680 / 3,760lm
Power Factor	> 0.9
End Cap Option	Plastic, Aluminum
Tube Material	PC (Clear PC / Frosted PC / Striated PC) + Aluminum
Lense Option	Clear / Frosted / Striated
Color Temperature	2,700 - 7,000K
Color Rendering Index	Ra > 80
Dimmable	Yes / No
Beam Angle	150°
Working Temperature	-20°C ~ +40°C
Working Life-span 70%	50,000H
Warranty	5 years

Photos & Models



WTG-2F10WT8WINZ



WTG-4F18WT8WINZ



WTG-4F18WT8WIDZ



WTG-4F18WT8WOYZ



WTG-8F36WT8WOYZ



WTG-2F18WT8UWINZ



WTG-2F18WT8UWINZ



WTG-2F18WT8UWOYZ

Parameter	Designate	Option
W	LED rating	A = rated 2.9-3.4 V, max. 30 mA B = rated 2.9-3.4 V, max. 70 mA
I/O	Power supply	O = external power supply I = internal power supply
Y	Dimmable or not	N = Not suitable for dimmer D = Suitable for dimmer
Z	End Caps Power Option	S = One end Power T = Double ends power



LM79
LM80

